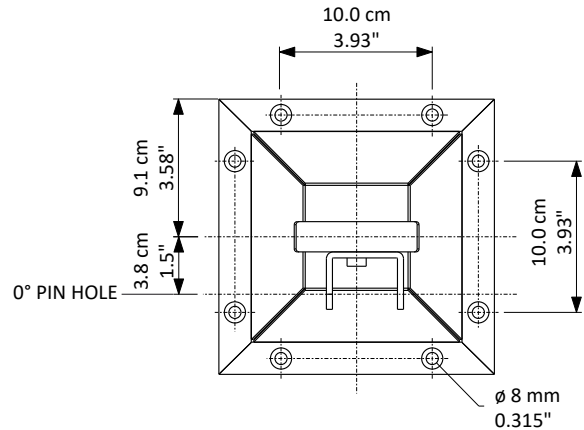
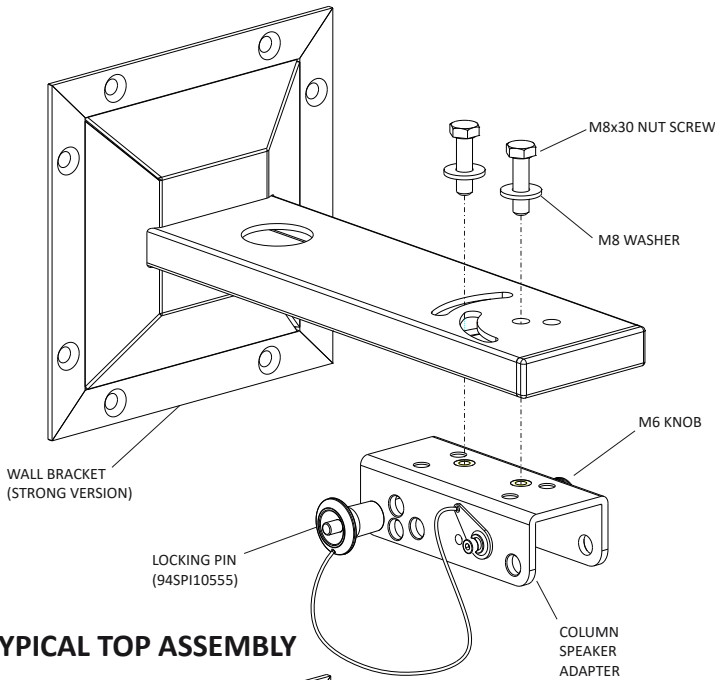
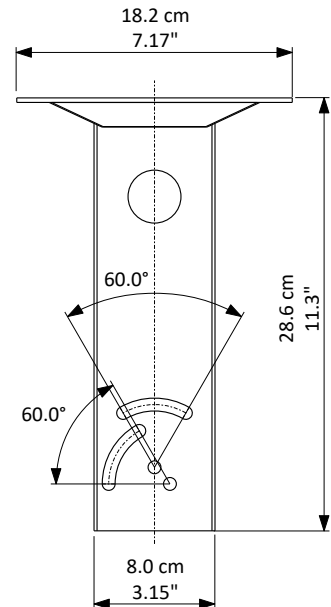
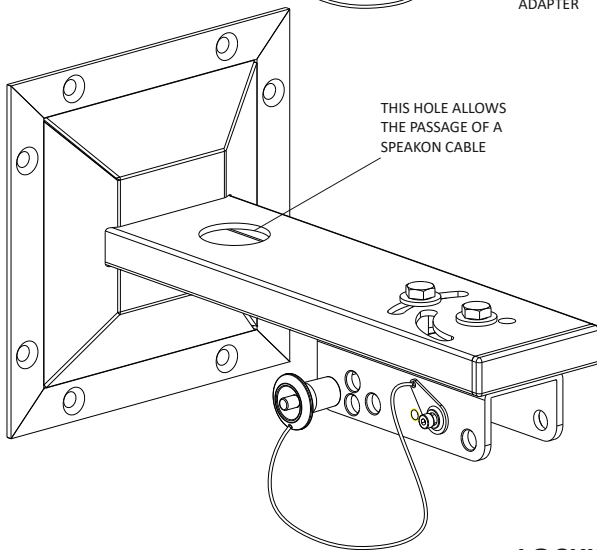


SUPPLIED MATERIALS

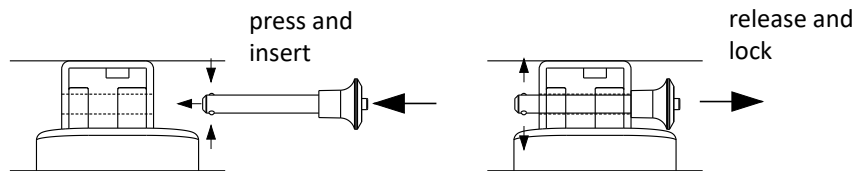
DIMENSIONS and DRILLING



TYPICAL TOP ASSEMBLY



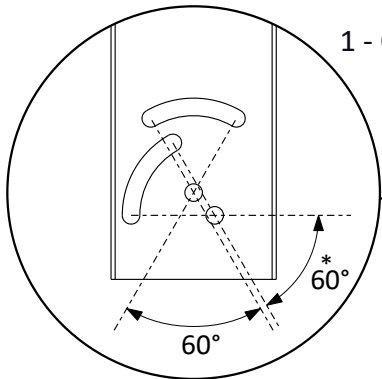
LOCKING PIN INSERTION



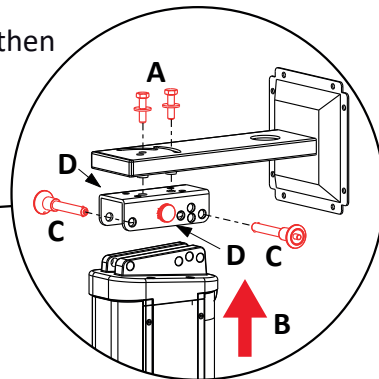
WARNINGS:

- No hardware is supplied to install the KPTWAX16CL to the walls: the hardware to be used depends on the wall structure. Use always the best hardware available taking in consideration the whole weight of loudspeakers and accessories.
- Brackets **MUST** be installed by qualified personnel in accordance with safe installation practices.
- A maximum of 2 x AX16CL or 1 x AX16CL + 2 AX8CL speakers can be installed using the KPTWAX16CL as top and the KPTWAX16CLL as bottom wall brackets.
- A maximum of 4 x AX16CL speakers can be installed using the KPTWAX16CL as top and bottom wall brackets.

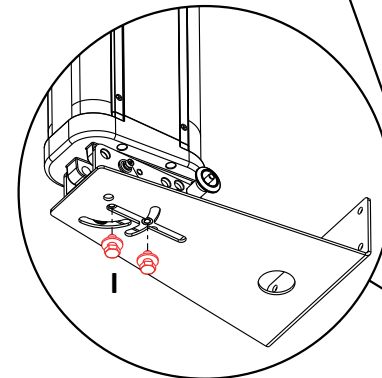
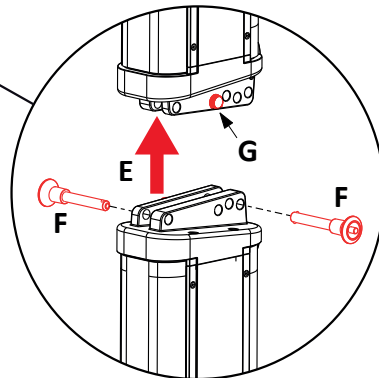
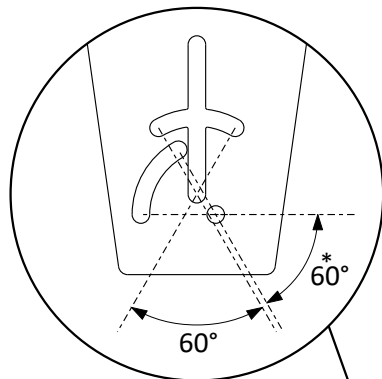
1 - Orientate the bracket then tighten the knobs (A).



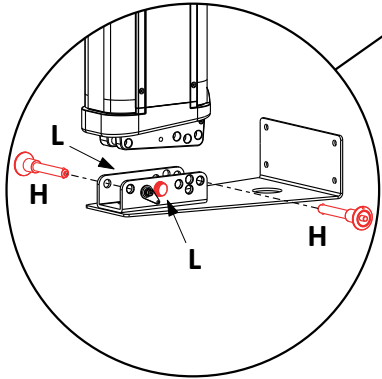
*to use these angle setup top and bottom brackets must have same orientation.



- 2 - Place the first column (B) and fix it with the pins (C).
- 3 - Tighten the knobs (D).
- 4 - Place the second column (E) and fix it with the pins (F).
- 5 - Tighten the knob (G).

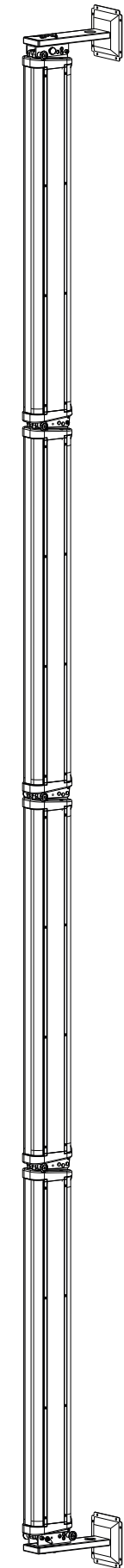
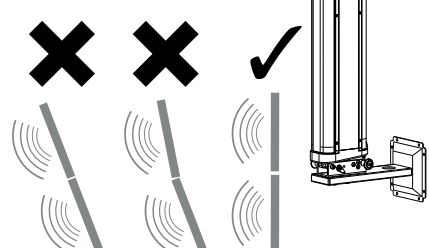


- 6 - Fix the bottom bracket with the pins (H).
- 7 - Tighten the bolts (I).
- 8 - Tighten the knobs (L).



IMPORTANT NOTE

- For installing 2x AX16CL columns, the bottom bracket can be the KPTWAX16CLL, as shown to the left.
- For installing 3x or 4x AX16CL columns, the bottom bracket must be KPTWAX16CL as shown to the right.



This drawing is the exclusive property of PROEL S.p.A. and cannot be reproduced without prior authorization.



CONDITIONS OF USE

Proel do not accept any liability for damage caused to third parties due to improper installation, use of non-original spare parts, lack of maintenance, tampering or improper use of this product, including disregard of acceptable and applicable safety standards. Proel strongly recommends that this loudspeaker cabinet be suspended taking into consideration all current National, Federal, State and Local regulations. The product must be installed by qualified personnel only. Please contact the manufacturer for further information.