

# AX12C & SW2100AV2

---

Suggested Setups – 8<sup>th</sup> release  
April 2024



# Standard Portable PA System

## System Item List

Qty	Model	Description
4	AX12C	12 x 3,5" Passive Column Array
2	SW2100AV2	Self powered, DSP, 21" Subwoofer
1	USB2CANDV2	USB – CANBUS converter, 2 Out

## Link cables

Qty	Code	Description
2	ES02500LU2	4 pole Speaker Cable mt.2 - From Subr to AX12C in stacked mode
2	ES02000LU025	4 pole Speaker Cable mt.0,25
2	AR100AVLU30	Audio+Remote Cable, from FOH to PA System - mt.30

## Optional Accessories

Qty	Model	Description
4	COVERAX12C	Padded Cover for 1 x AX12C - Column speaker
2	COVERSW2100	Padded Cover for SW2100AV2
2	KPTAX12C	Flying-Bar for hanging of up to six AX12C or twelve AX6C
4	KPTFAXC	Foam Floor Stand for horizontal ground positioning of AX12C
2	KPTFA12XC	4 legs Metal Floor Stand for ground floor stacking of AX12C/6C



# Standard Portable PA System

*Flyable version*

## System Item List

Qty	Model	Description
4	AX12C	12 x 3,5" Passive Column Array
2	SW2100AV2	Self powered, DSP, 21" Subwoofer
2	KPTAX12C	Flying-Bar for hanging of up to six AX12C or twelve AX6C
1	USB2CANDV2	USB – CANBUS converter, 2 Out

## Link cables

Qty	Code	Description
2	ES02500LU2	4 pole Speaker Cable mt.2 - From Subr to AX12C in stacked mode
2	ES02500LU10	4 pole Speaker Cable mt.10 – From Subwoofer to Flying Bar
4	ES02000LU025	4 pole Speaker Cable mt.0,25 – for linking of AX12C elements
2	AR100AVLU30	Audio+Remote Cable, from FOH to PA System - mt.30

## Optional Accessories

Qty	Model	Description
4	COVERAX12C	Padded Cover for 1 x AX12C - Column speaker
2	COVERSW2100	Padded Cover for SW2100AV2
4	KPTFAXC	Foam Floor Stand for horizontal ground positioning of AX12C
2	KPTFA12XC	4 legs Metal Floor Stand for ground floor stacking of AX12C/6C



# Mid Size PA System

## System Item List

Qty	Model	Description
6	AX12C	12 x 3,5" Passive Column Array
2	SW2100AV2	Self powered, DSP, 21" Subwoofer
2	KPTAX12C	Flying-Bar for hanging of up to six AX12C or twelve AX6C
1	USB2CANDV2	USB – CANBUS converter, 2 Out

## Link cables

Qty	Code	Description
2	ES02500LU2	4 pole Speaker Cable mt.2 - From Subr to AX12C in stacked mode
2	ES02500LU10	4 pole Speaker Cable mt.10 – From Subwoofer to Flying Bar
4	ES02000LU025	4 pole Speaker Cable mt.0,25 – for linking of AX12C elements
2	AR100AVLU30	Audio+Remote Cable, from FOH to PA System - mt.30

## Optional Accessories

Qty	Model	Description
6	COVERAX12C	Padded Cover for 1 x AX12C - Column speaker
2	COVERSW2100	Padded Cover for SW2100AV2
6	KPTFAXC	Foam Floor Stand for horizontal ground positioning of AX12C
2	KPTFA12XC	4 legs Metal Floor Stand for ground floor stacking of AX12C/6C



# Large Size PA System

## System Item List

Qty	Model	Description
8	AX12C	12 x 3,5" Passive Column Array
4	SW2100AV2	Self powered, DSP, 21" Subwoofer
2	KPTAX12C	Flying-Bar for hanging of up to six AX12C or twelve AX6C
1	USB2CANDV2	USB – CANBUS converter, 2 Out

## Link cables

Qty	Code	Description
2	ES02500LU2	4 pole Speaker Cable mt.2 - From Sub to AX12C in stacked mode
4	ES02500LU10	4 pole Speaker Cable mt.10 – From Subwoofer to Flying Bar
4	ES02000LU025	4 pole Speaker Cable mt.0,25 – for linking of AX12C elements
2	AR100AVLU30	Audio+Remote Cable, from FOH to PA System - mt.30

## Optional Accessories

Qty	Model	Description
6	COVERAX12C	Padded Cover for 1 x AX12C - Column speaker
2	COVERSW2100	Padded Cover for SW2100AV2
6	KPTFAXC	Foam Floor Stand for horizontal ground positioning of AX12C
2	KPTFA12XC	4 legs Metal Floor Stand for ground floor stacking of AX12C/6C



# Suggested System Cables

Optionals



## USB2CAND

USB - CANBUS Converter, Windows OS, 2 x RJ45 Output connectors



## AR100LU05

Short Audio / Remote Cable, to link adjacent Subwoofers. Length 5mt.



## ES02500LU2 / LU10

4 pole Speaker cable 4 x 4 mm<sup>2</sup> - Length 2mt. / 10mt.



## ES02000LU025

4 pole Speaker cable 4 x 2.5 mm<sup>2</sup> - Length 0.3mt

## AR100AV LU30

Very Long Audio+Remote Cable, from FOH to PA System - mt.30



# AX12C & SW2100

## Rigging Hardware

**Optionals**

### COVERSW2100

Padded Cover for 1 x SW2100A - Subwoofer



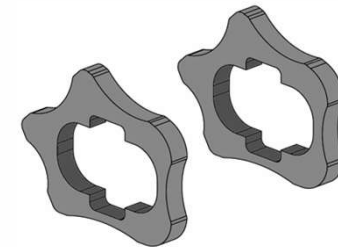
### COVERAX12C

Padded Cover for 1 x AX12C - Column speaker



### KPTFAXC

Foam Floor Stand for horizontal ground positioning of AX12C / AX6C



# AX12C & SW2100

## Rigging Hardware

Optionals

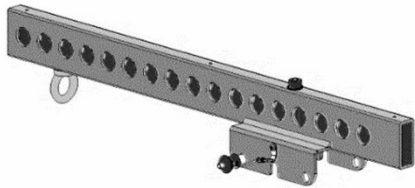
**KPTFAX12C**

Floor Stand for ground stacking of two AX12C



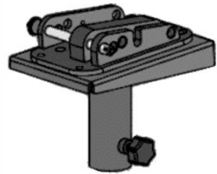
**KPTAX12C**

Flying-Bar for hanging of up to six AX12C or twelve AX6C



**KPTPOLEAX12C**

Pole adapter for AX12C



**PLG714**

Straight Shackle 14mm for all Flying Bars



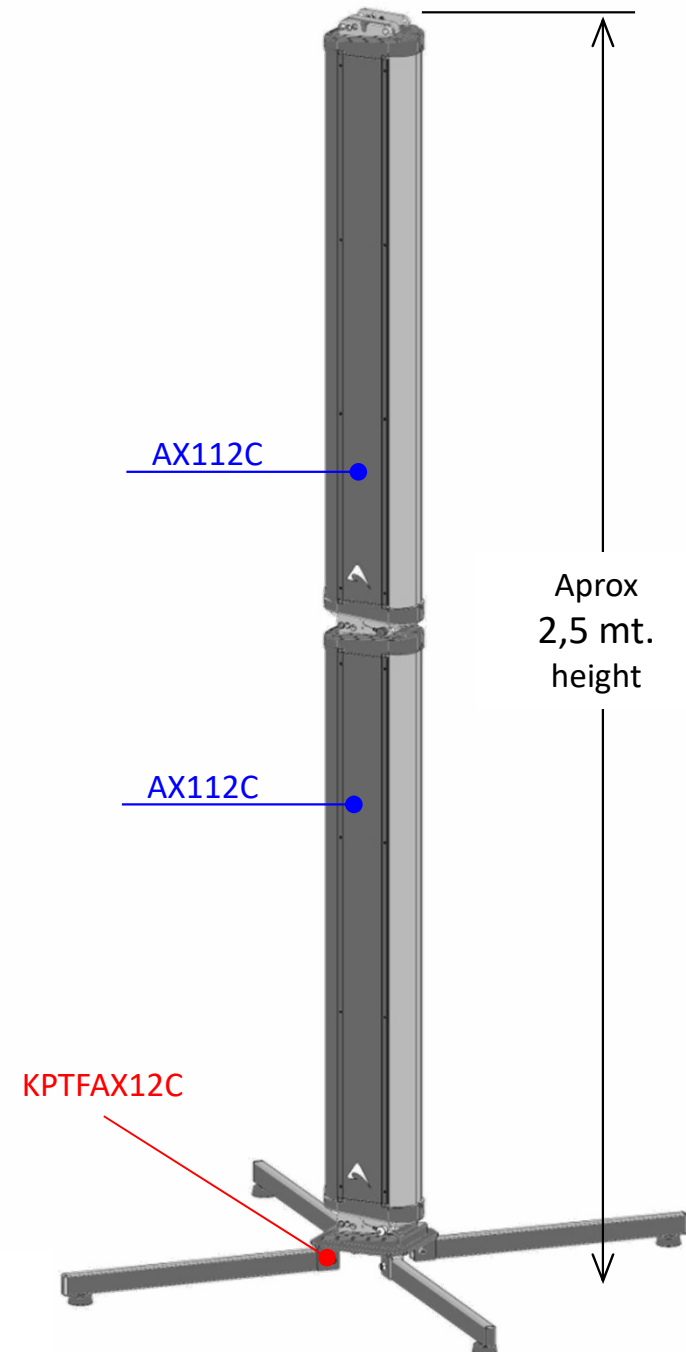


# KPTFAX12C

Floor Stand for ground stacking of two AX12C



Useful in rooms featuring low height ceilings



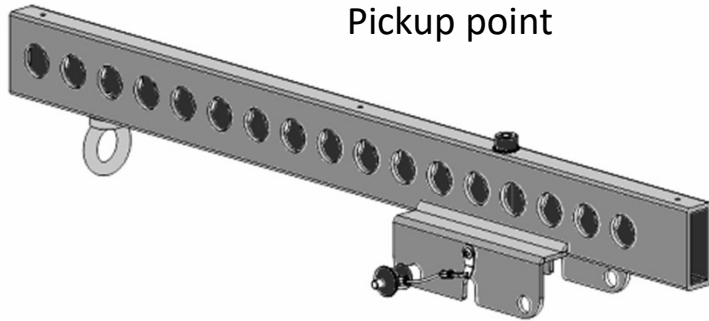
# KPTAX12C

Flying-Bar for up to six AX12C

Optional

## KPTAX12C

adjustable single  
Pickup point



For Rental companies  
&  
No Wall-mount installations

KPTAX12C

AX12C

AX12C

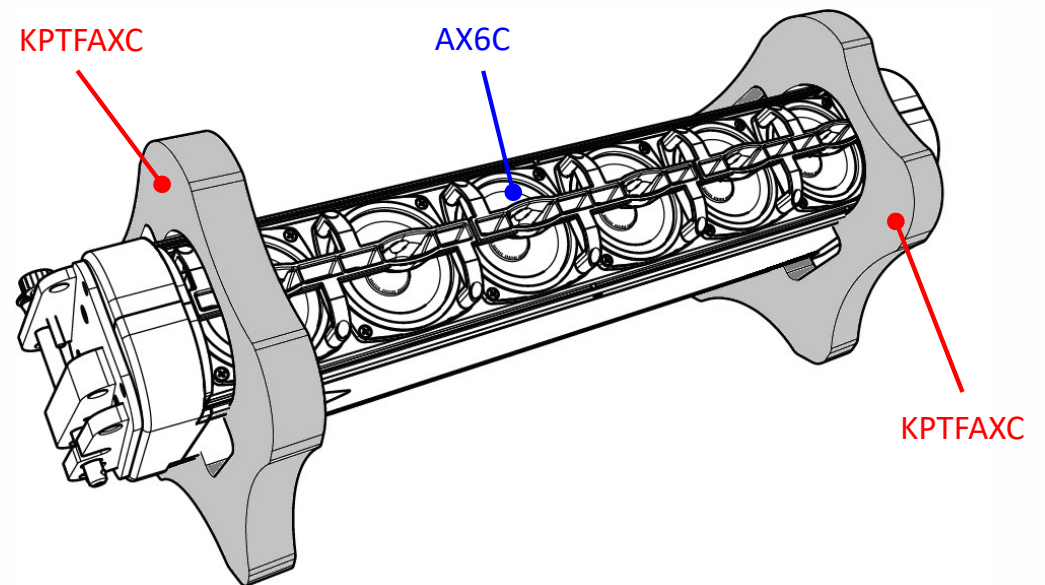
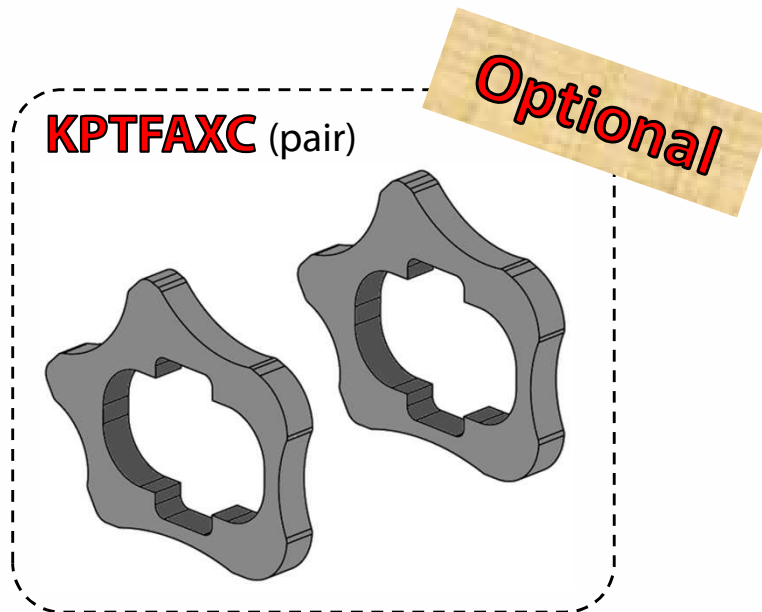
AX12C

AX12C



# KPTFAXC (pair)

Floor Stands made in solid compressed foam to slip onto the ends of AX12C and AX6C for horizontal positioning as Front-fill or stage monitoring



# KPTPOLEAX12C

Pole adapter for AX12C

